

# ioLogik E2212

**Active Ethernet I/O with 8 digital inputs, 8 digital outputs, and 4 configurable DIO**



The certification logos shown here apply to some or all of the products in this section. For details, see "Regulatory Approvals" under "Specifications" below.

- > Selectable digital I/O combination (by software)
- > Accepts PNP or NPN sensors
- > DI counter saved automatically when power shuts off
- > Instant event messaging by TCP/UDP/email/SNMP trap
- > Easy-to-use Click&Go™ Logic for local output control
- > PC-based configuration utility and web console
- > I/O control over Modbus/TCP and SNMP protocol
- > Windows/WinCE VB/VC.NET and Linux C APIs
- > Peer-to-Peer I/O without controller



## Introduction

### Flexible Digital Input/Output Configuration

The ioLogik E2212 provides system integrators with the flexibility to handle various field demands with channels that can be configured by software for input or output operation. You can configure the I/O channels to suit your needs, for combinations such as 12-inputs/8-outputs, 8-inputs/12-outputs, or 10-inputs/10-outputs.

### Single Ethernet DIO that Accepts 3 Sensor Types

Unlike traditional Ethernet I/O products, the ioLogik E2212 can connect to dry contact, PNP, and NPN sensors at the same time. You can choose the sensor type based on your wiring approach.

## Specifications

### LAN

**Ethernet:** 1 x 10/100 Mbps, RJ45

**Protection:** 1.5 KV magnetic isolation

**Protocols:** Modbus/TCP, TCP/IP, UDP, DHCP, Bootp, SNMP (MIB for I/O and Network), HTTP, CGI, SNTIP

### Serial Communication

**Interface:** RS-485-2w: Data+, Data-, GND

**Serial Line Protection:** 15 KV ESD for all signals

### Serial Communication Parameters

**Parity:** None

**Data Bits:** 8

**Stop Bits:** 1

**Flow Control:** None

**Baudrate:** 1200 to 115200 bps

**Protocol:** Modbus/RTU

### Digital Input

**Channels:** 8, source/sink selectable

**Sensor Type:** 2 6-point groups for NPN/PNP type

**I/O Mode:** DI or Event Counter (up to 900 Hz)

### Dry Contact:

- Logic 0: short to GND
- Logic 1: open

### Wet Contact: (For Source Type)

- Logic 0: 0 to 3 VDC
- Logic 1: 10 to 30 VDC (DI COM to DI)

**Common Type:** 6 points per COM

**Isolation:** 3K VDC or 2K Vrms

**Counter/Frequency:** 900 Hz, power off storage

**Digital Filtering Time Interval:** Software selectable

**Over-voltage Protection:** 36 VDC

**Poweroff Counter Memory:** 48 bytes

### Digital Output

**Channels:** 8, sink type, 36 VDC, 200 mA

**I/O Mode:** DO or Pulse Output (up to 100 Hz)

**Pulse Wave Width/Frequency:** 10 ms/100 Hz

**Over-voltage Protection:** 45 VDC

**Over-current Limit:** 400 mA (typical)

**Over-temperature Shutdown:** 175°C (min.)

**Output Current Rating:** Max. 200 mA per channel

**Isolation:** 2K Vrms or 3K VDC (Magnetic)

### DI/DO Configurable Channels

**Channels:** 4

### I/O Mode:

- DI or Event Counter (up to 900 Hz)
- DO or Pulse Output (up to 100 Hz)

### Power Requirements

**Power Input:** 24 VDC nominal, 12 to 48 VDC

**Power Consumption:** 282 mA typical @ 24 VDC

### Physical Characteristics

**Wiring:** I/O cable max. 14AWG

**Dimensions:** 115 x 79 x 45.63 mm (4.53 x 3.11 x 1.8 in)

**Weight:** 210 g

### Environmental Limits

**Operating Temperature:** -10 to 60°C (14 to 140°F)

**Storage Temperature:** -40 to 85°C (-40 to 185°F)

**Ambient Relative Humidity:** 5 to 95% (non-condensing)

### Regulatory Approvals

**EMI:** FCC Part 15, CISPR (EN55022) class A

**EMS:** IEC 61000-4, IEC 61000-6

**Shock:** IEC 60068-2-27

**Freefall:** IEC 60068-2-32

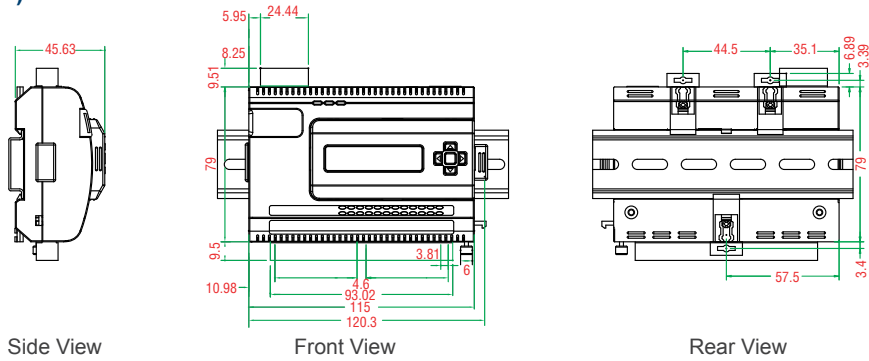
**Vibration:** IEC 60068-2-6

### Warranty

**Warranty Period:** 2 years

**Details:** See [www.moxa.com/warranty](http://www.moxa.com/warranty)

### Dimensions (unit = mm)



### Pin Assignment

#### I/O (left to right)

1	2	3	4	5	6	7	8	9	10	11	12	13	14	15	16	17	18	19	20	21	22	23	24
DI.COM1	DIO	D11	D12	D13	D14	D15	DI.COM2	D16	D17	D18	D19	D1010	D1011	GND	D00	D01	D02	D03	D04	D05	D06	D07	D0.PWR

### Ordering Information

**ioLogik E2212:** Active Ethernet I/O, with 8 digital inputs, 8 digital outputs, and 4 DIOs

**LDP1602:** LCD module with 16 x 2 text display and 5 buttons